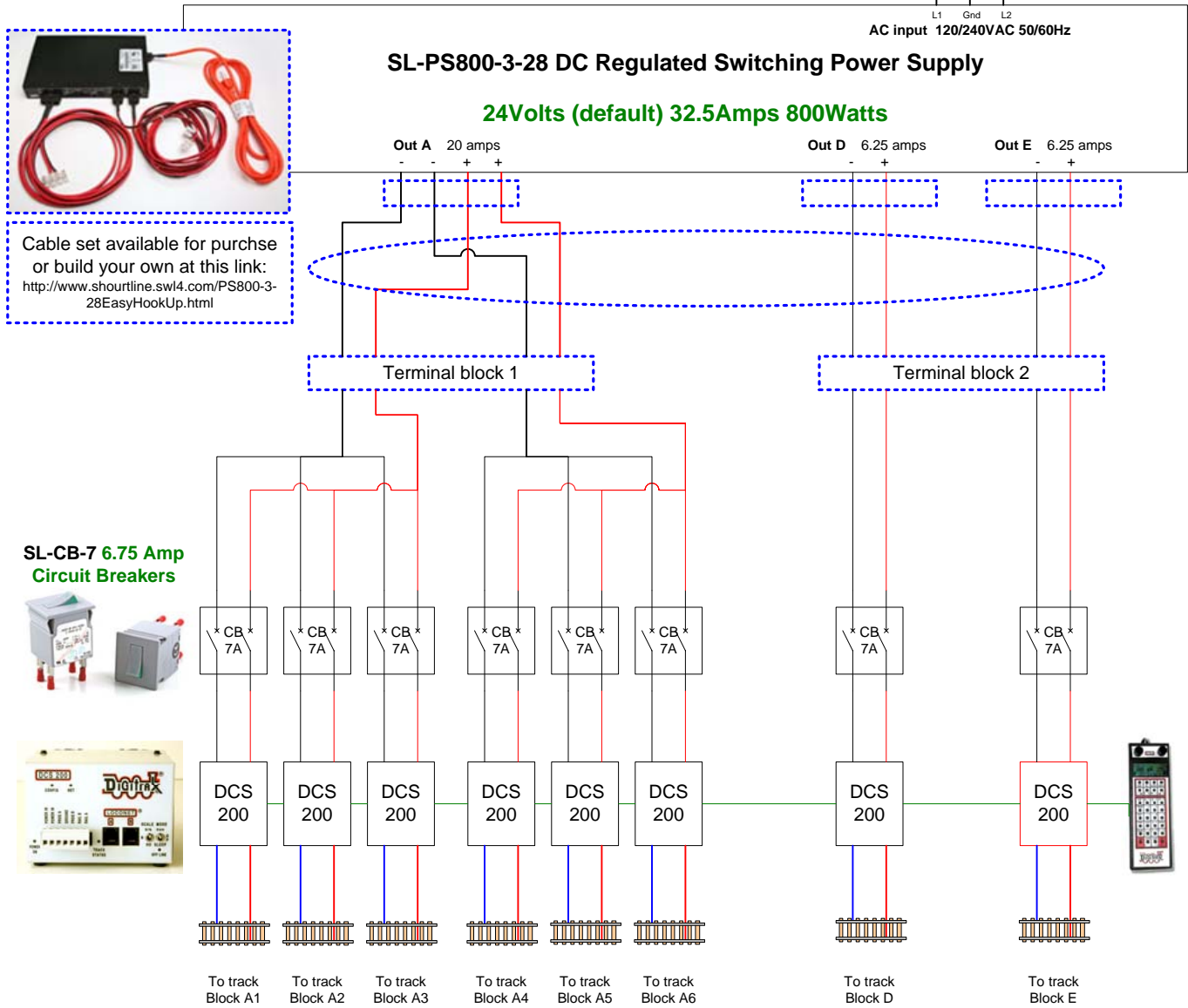
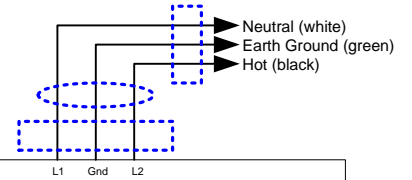


Wiring diagram for connecting the **SL-PS800-3-28 DC Regulated Switching Power Supply** to Digitrax DCS200 or other 8 amp MTS/DCC central stations/boosters with 7 amp circuit breakers.

To learn about Domestic AC power plugs visit this site:
http://en.wikipedia.org/wiki/Domestic_AC_power_plugs_and_sockets



Typical 5 to 8 amp DCC/MTS central stations and boosters that can be used for train control

